

# SRL

## Low Flow Vessels

The SRL Low Flow Vessel is versatile in its ability to function as a strainer or add a filter bag and convert it to a liquid filtration housing unit. The SRL Series vessels come in two standard sizes, tailored to your throughput requirements. The SRL 1-30 is rated for 30 gpm, and the SRL 1-65 at 65 gpm. All sizes are available in three different closure designs for ease of cleaning/replacing and for easy removal without specific tools.

Unfiltered liquid enters the housing above the bag or basket and flows through. Because solids are contained inside the bag or basket, removal is made easy when service is required. Basket strainers and bag filters are selected to comply with specific application requirements.

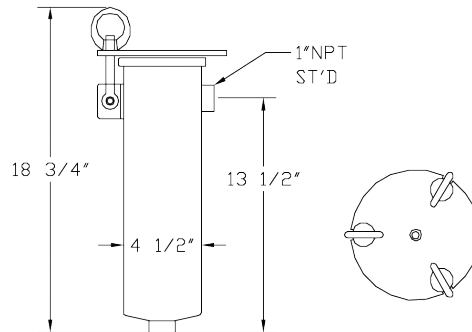


SRL

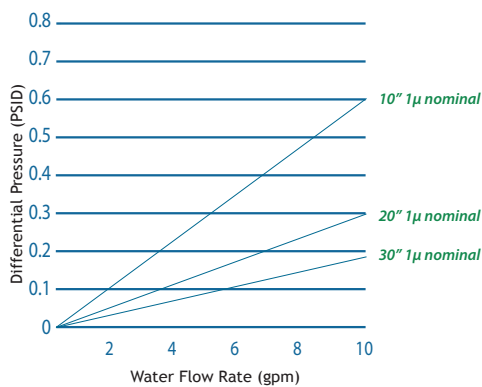


SRL 1-30 with Swing Bolt Closure design (100 to 300 psi rating)

SRL-30-SB



### Performance Characteristics (Single-filter)



## Features & Benefits

### The SRL

- Inlet/Outlet Orientation  
Side-in Bottom-out (*standard*)  
Side-in Side-out (*optional*)
- Low Pressure Drop, Positive Cover Seal
- Easily Cleaned
- Heavy Duty Perforated Basket
- ASME Code Stamp Available on swing bolt design
- 0.25" NPT Vent Tap
- Pipe Sizes from 0.5" to 2" NPT, RFF or quick disconnect

## Optional Features

- Side-in/Side-out
- Epoxy coating, electro-polish & fuse coating
- Higher pressure ratings available
- Compression devices
- Custom designs
- Sanitary construction
- Mesh-lined basket for straining applications:  
50 micron & higher
- ASME code stamp available on swing bolt design
- Band Clamp, Swing Bolt & Swing Away Closures  
available in both sizes

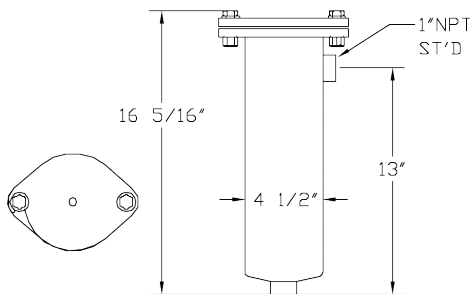
## Filter Styles Accepted

- Install a bag filter of indicated size.  
Accepts ring collar only.

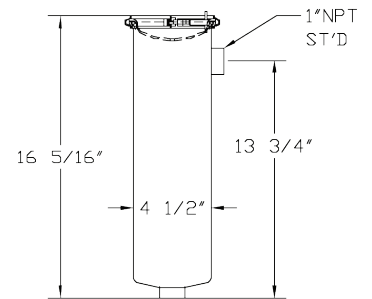
Swing Away Closure design  
(100 psi rating)



SRL-30-SW



SRL-30-BC



Band Clamp  
Closure design  
(100 - 200 psi rating)

## Ordering Information

*This is not a comprehensive list. We can build your vessel to suit your specifications.  
Call one of our customer service representatives for pricing and availability.*

Strainrite  
Low Flow Series

**SRL**

Code   Bag Size		Code   Inlet/Outlet		Code   Construction Materials		Code   Closure		Code   Options	
3	#3 size bag	1	1" NPT	A	Carbon Steel	BC	Band Clamp	SAN	Sanitary Design
4	#4 size bag	1F	1" RFF	B	304 Stainless Steel	SB	Swing Bolt	SO	Side Outlet - Side Out/Same Side
30	#30 size bag	1TC	1" Triclover	C	316 Stainless Steel	SW	Swing Away	EP	Electro Polish Finish
65	#65 size bag	1.5	1.5" NPT					GT	Differential Pressure Gauge Ports
		1.5F	1.5" RFF					ML	Mesh-Lined Basket
		1.5TC	1.5" Triclover					UM	Code Stamped (SB only)
		2	2" NPT						
		2F	2" RFF						
		2TC	2" Triclover						